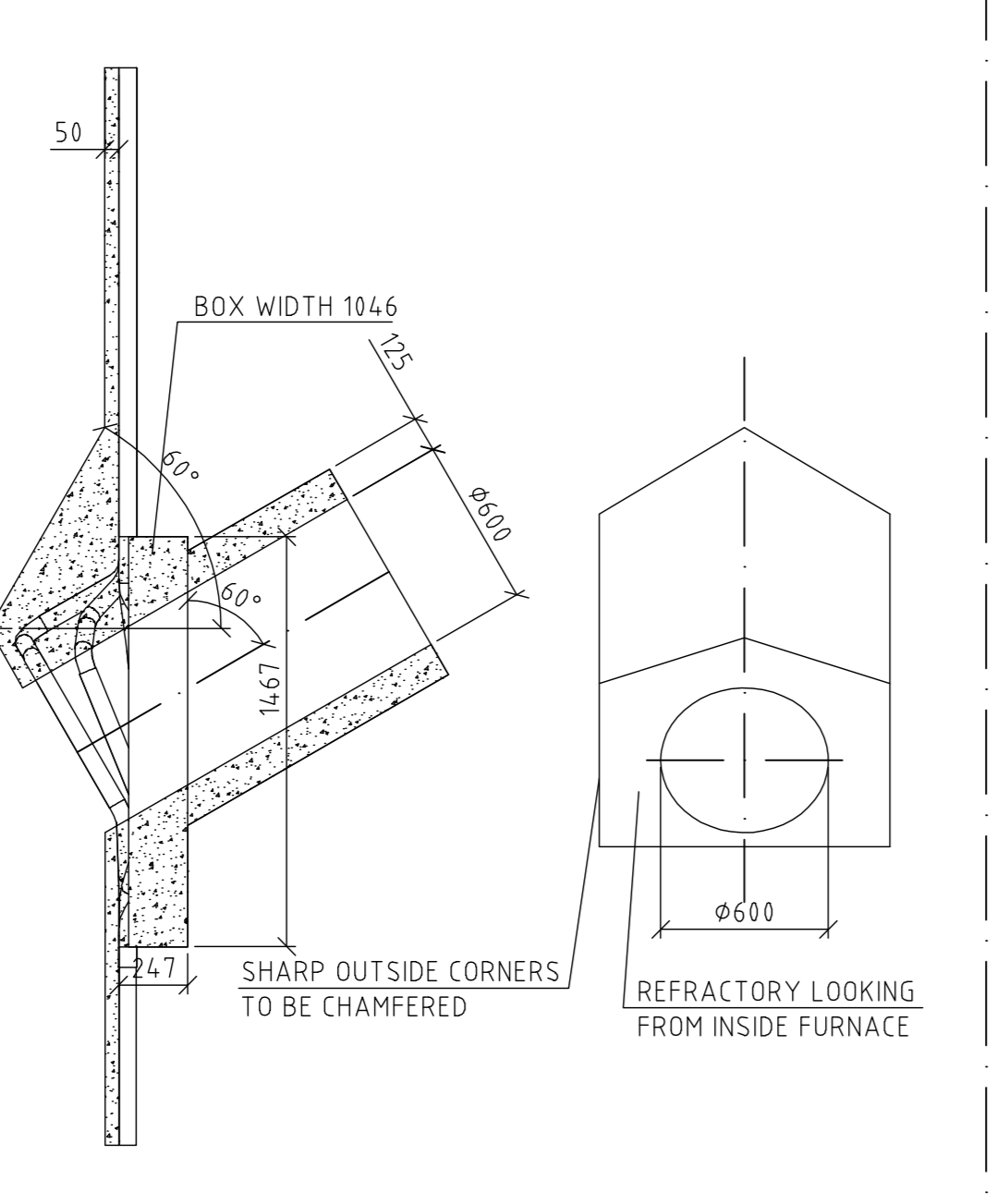
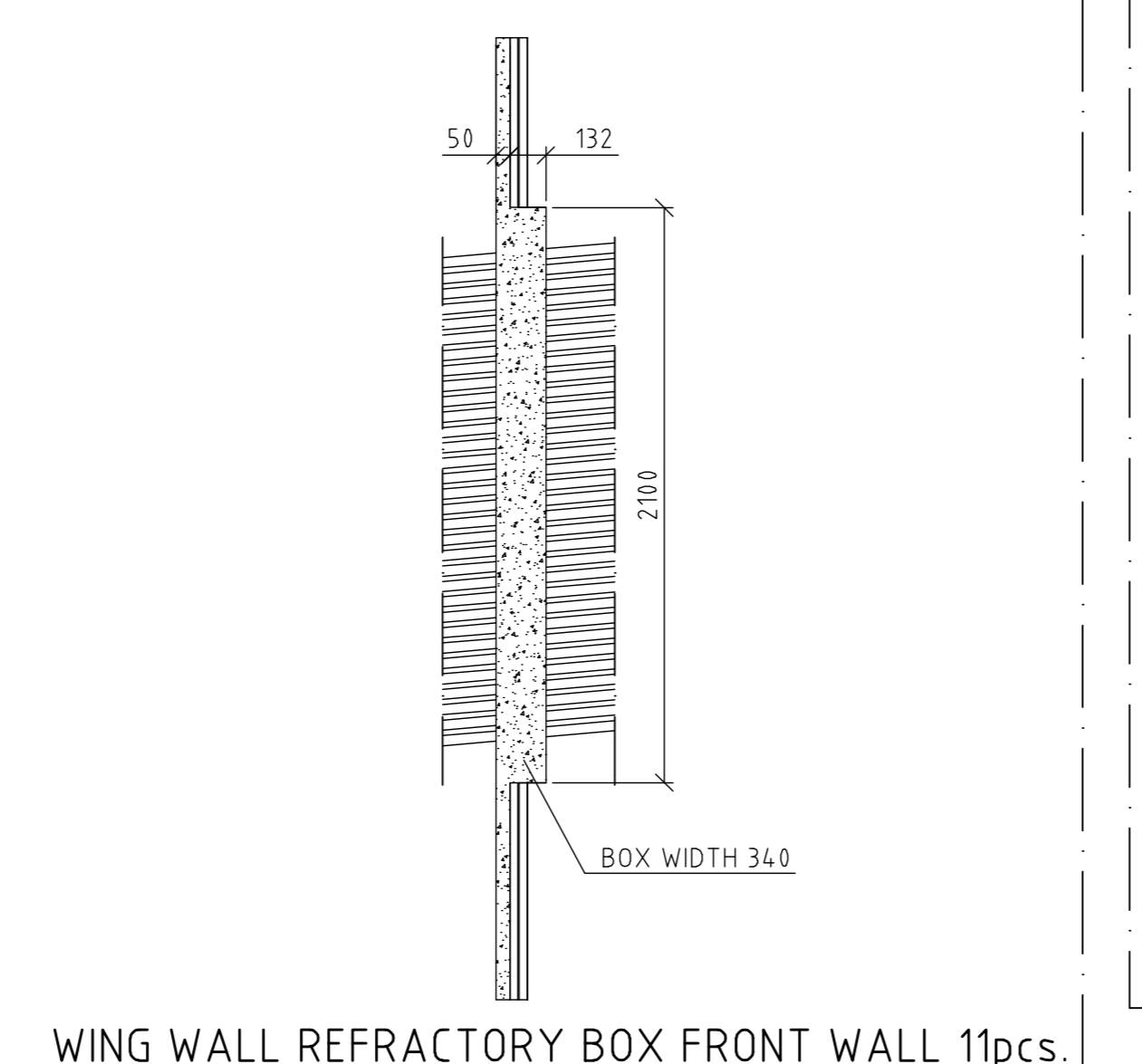


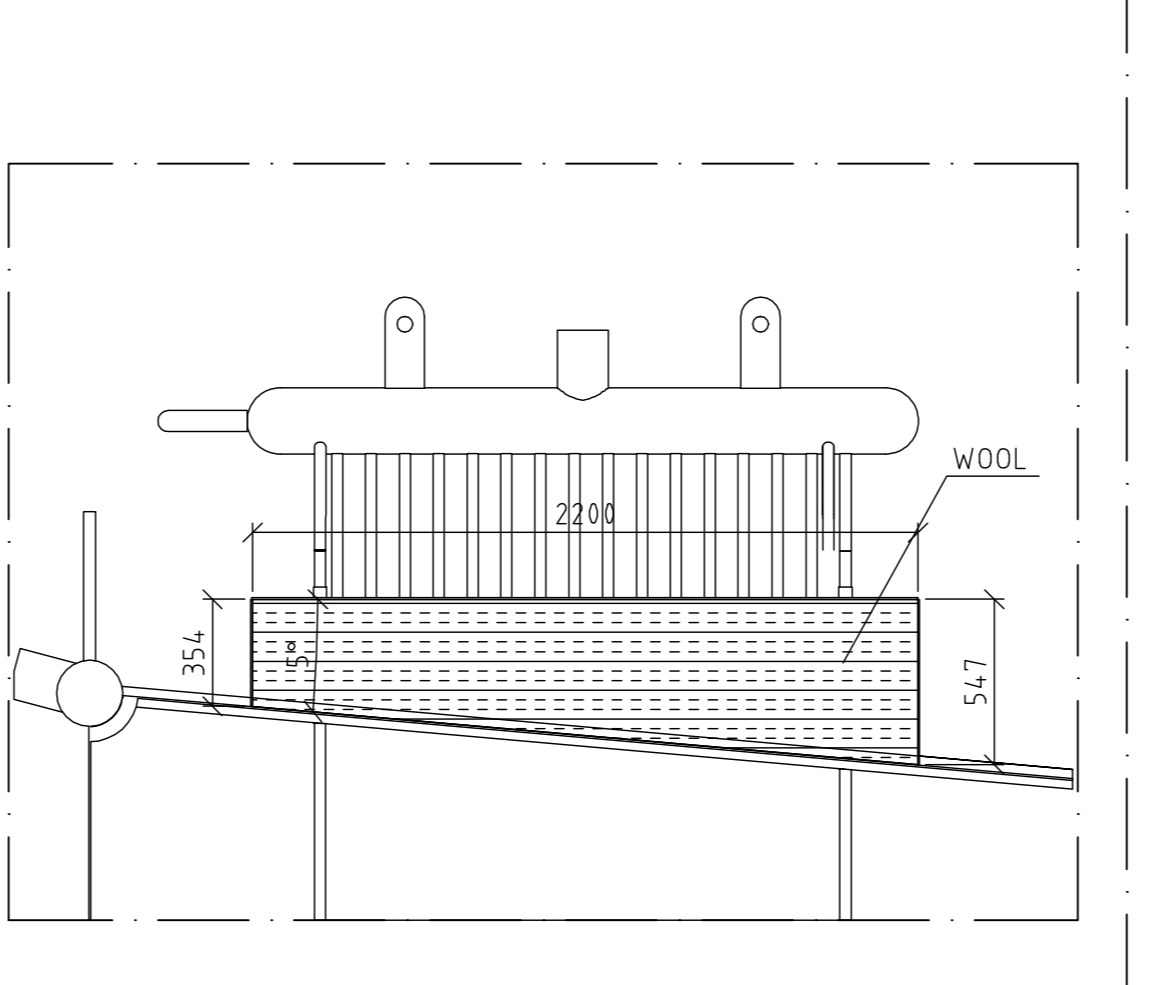
STARTUP BURNER OPENING FW AND RW 5pcs.



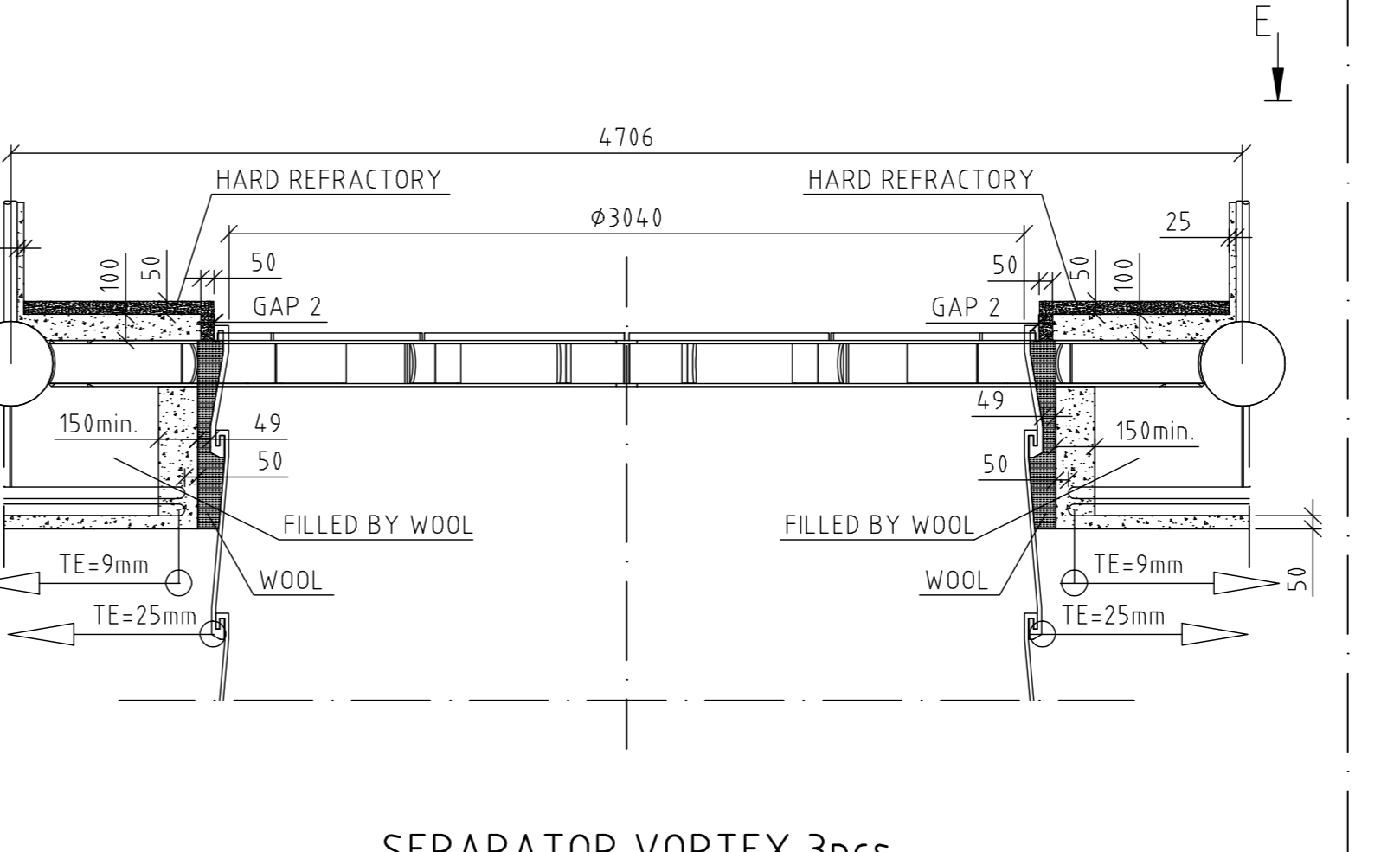
STARTUP BURNER OPENING SIDEWALLS 2pcs.



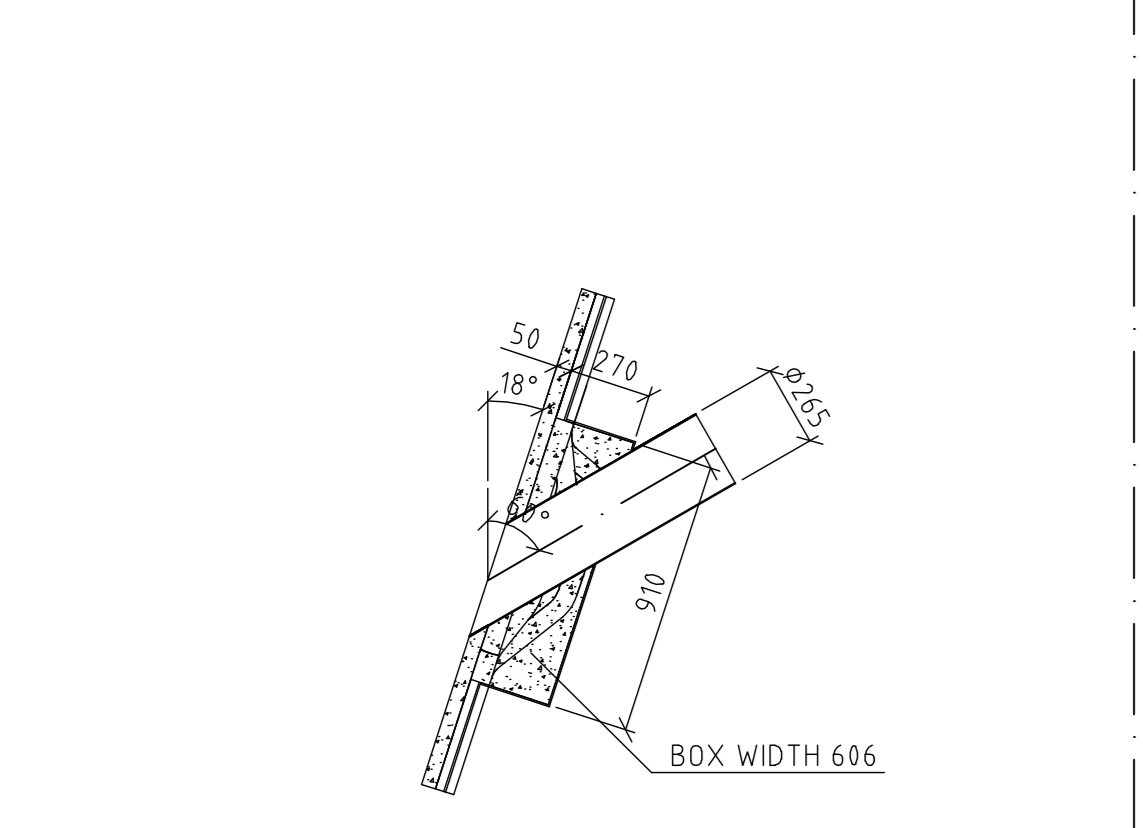
WING WALL REFRACTORY BOX FRONT WALL 11pcs.



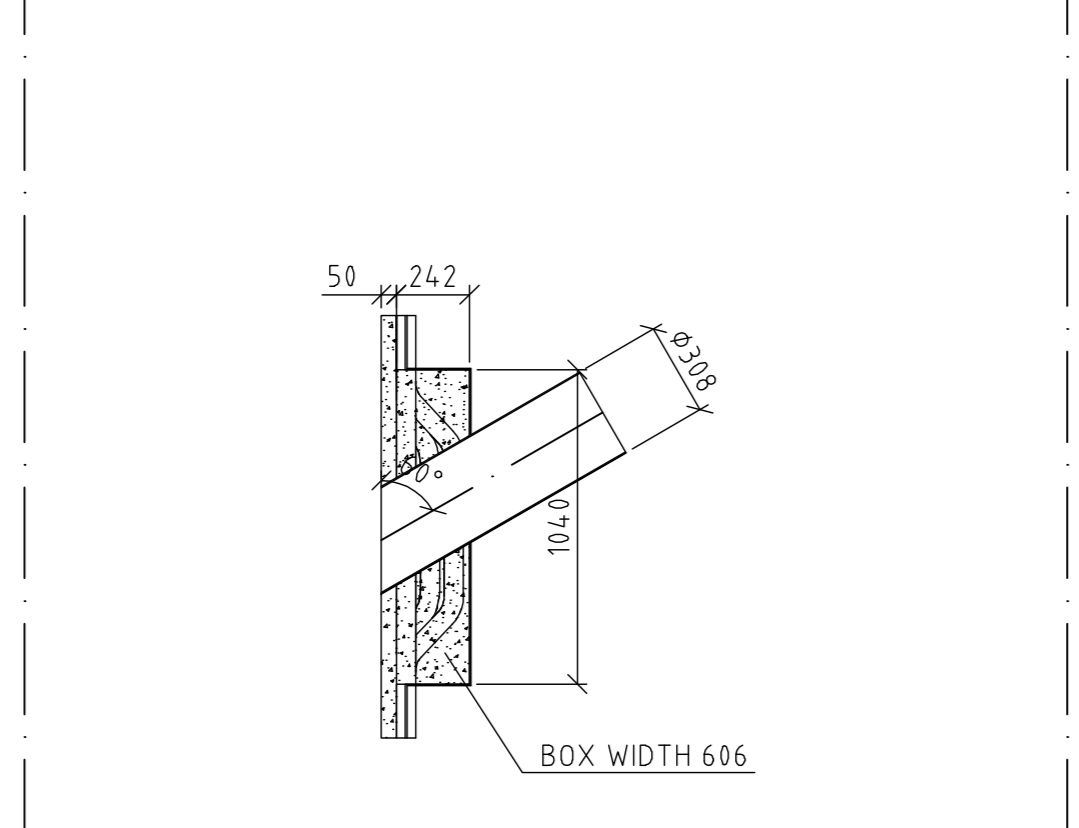
WING WALL ROOF BOX 11pcs.



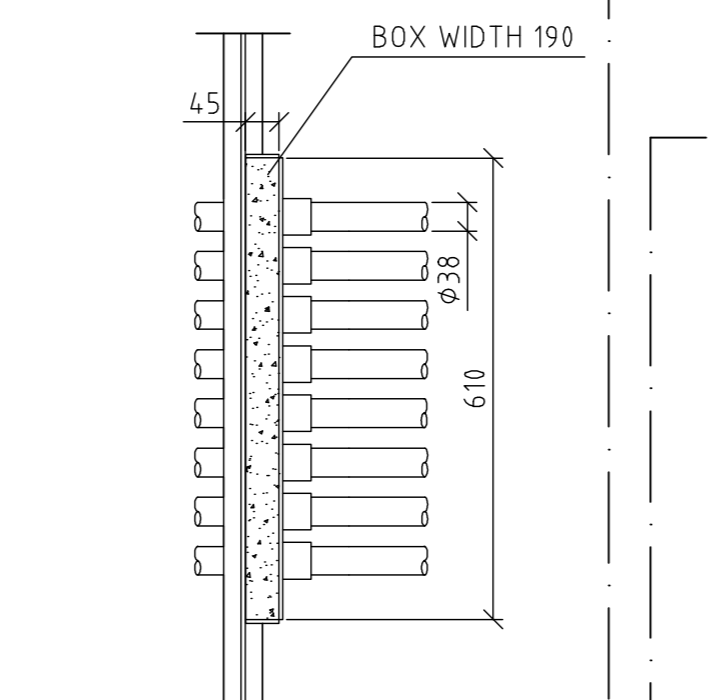
SEPARATOR VORTEX 3pcs. 1:25



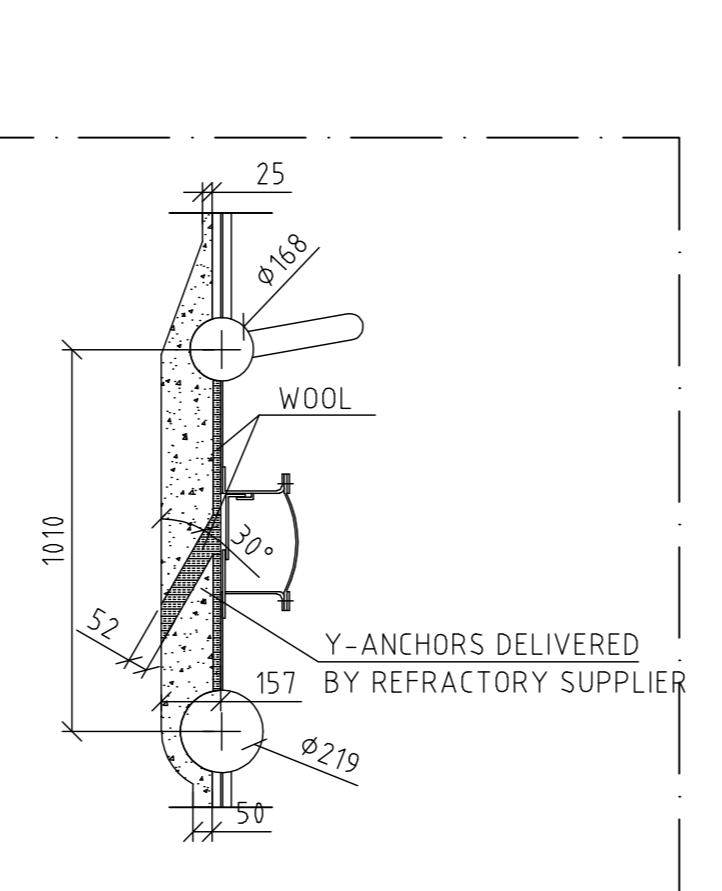
SECONDARY AIR OPENING FW AND RW 22pcs.



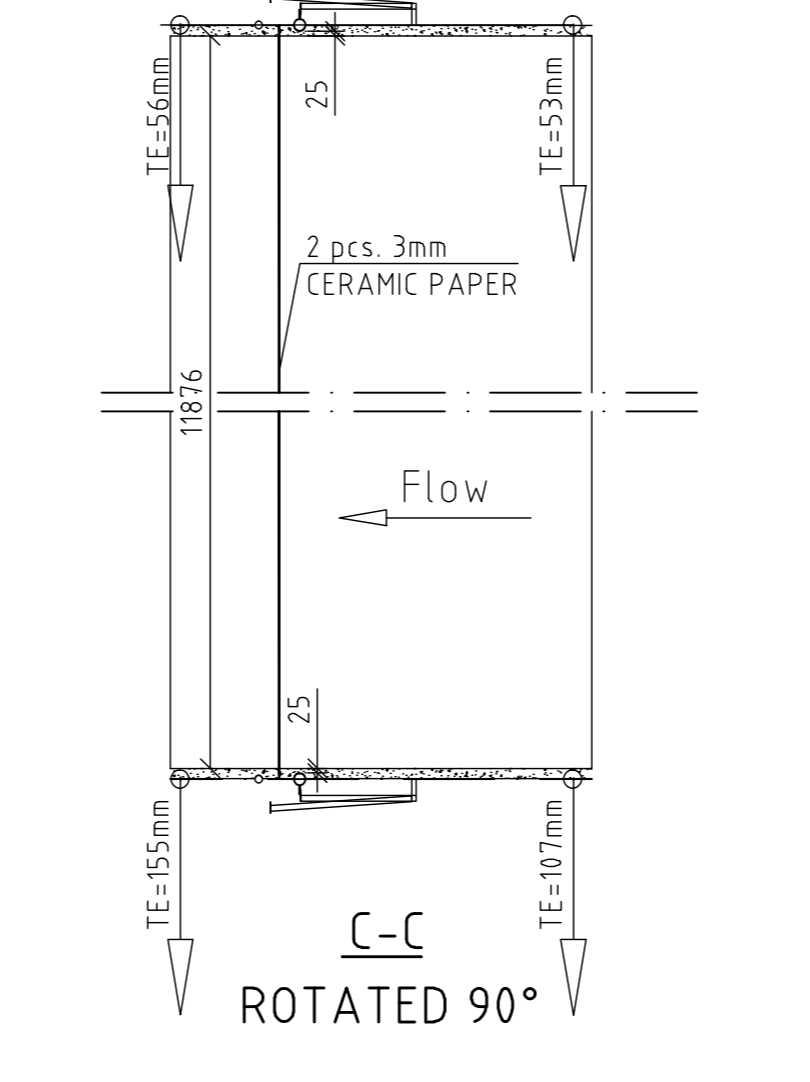
SECONDARY AIR OPENING SIDEWALLS 2pcs.



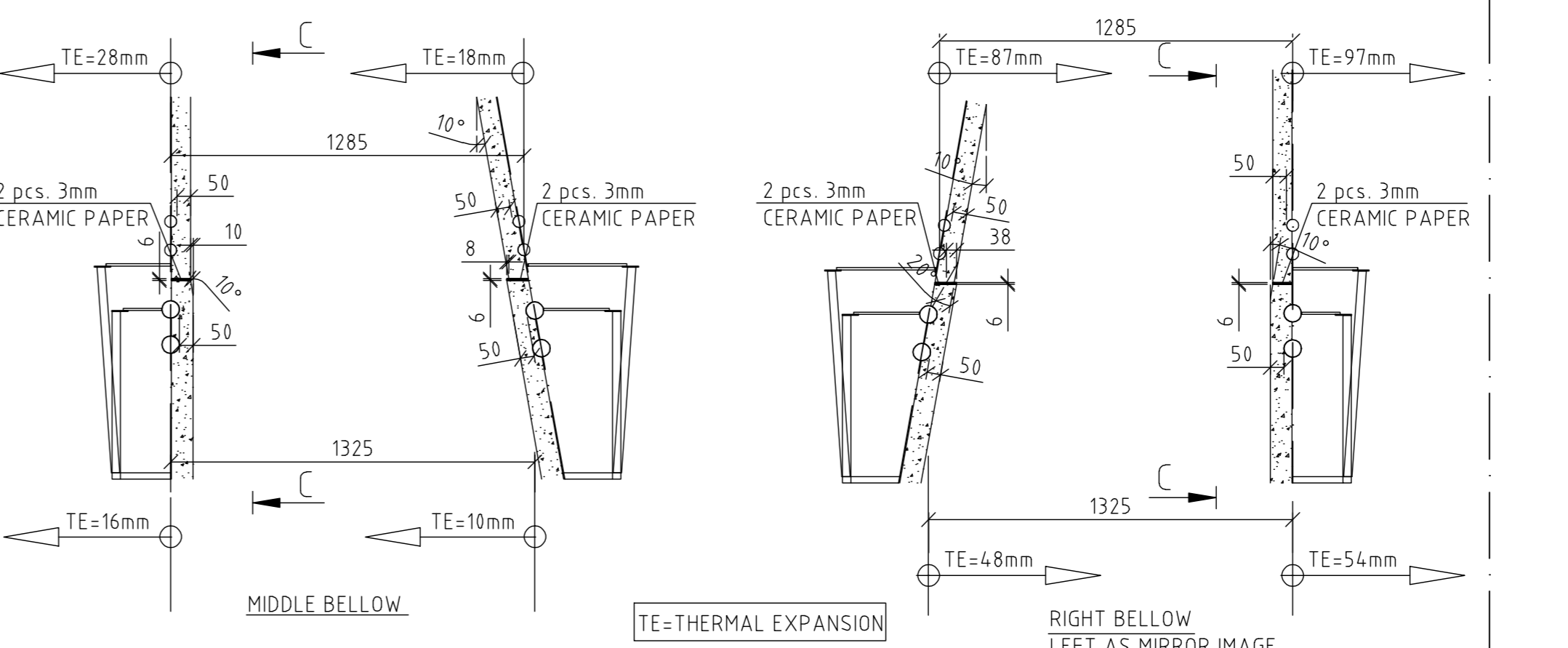
SUPERHEATER II REFRACTORY BOX 130pcs.



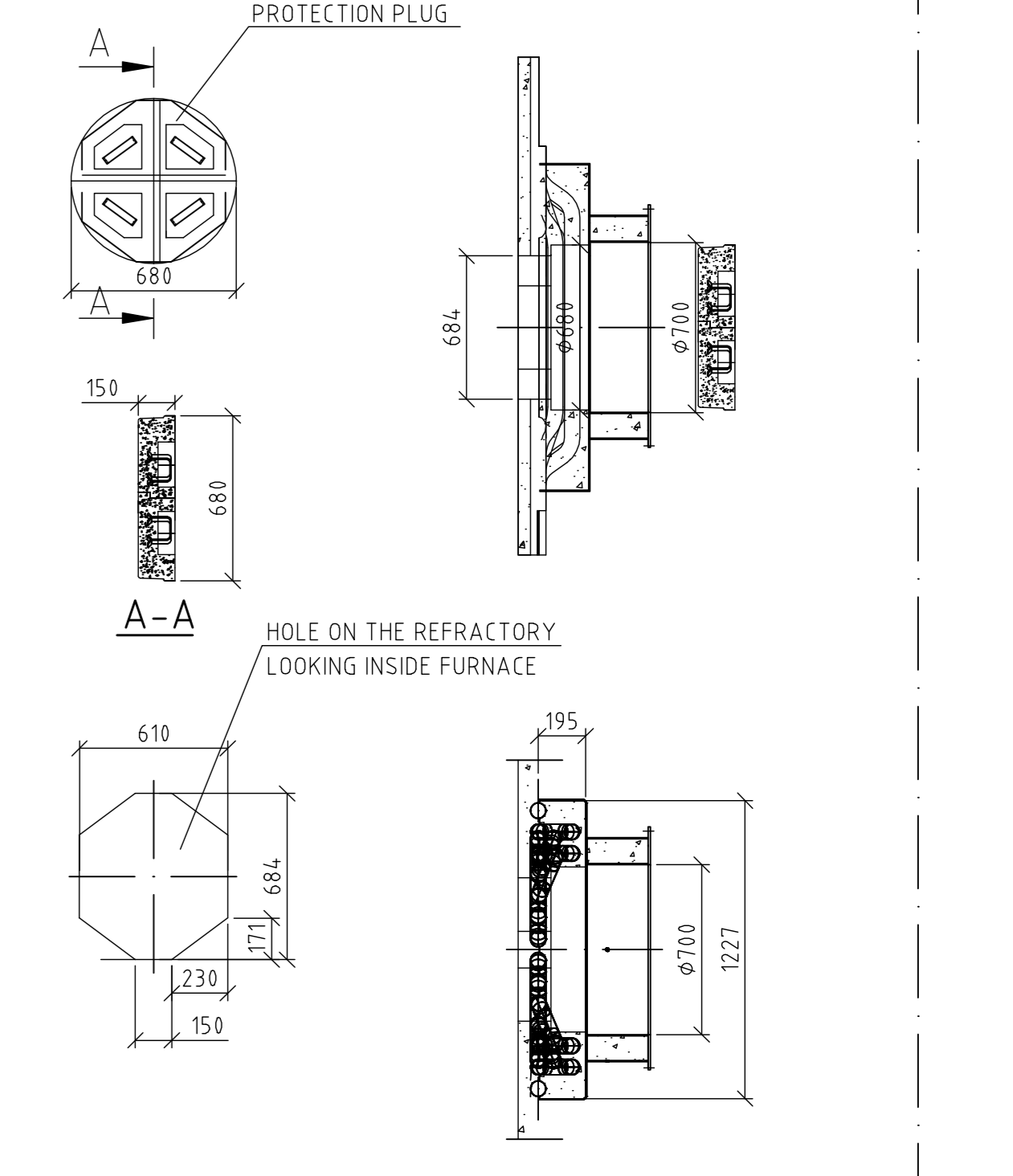
BELLOW BETWEEN SEPARATOR AND RETURN LEG 3pcs.



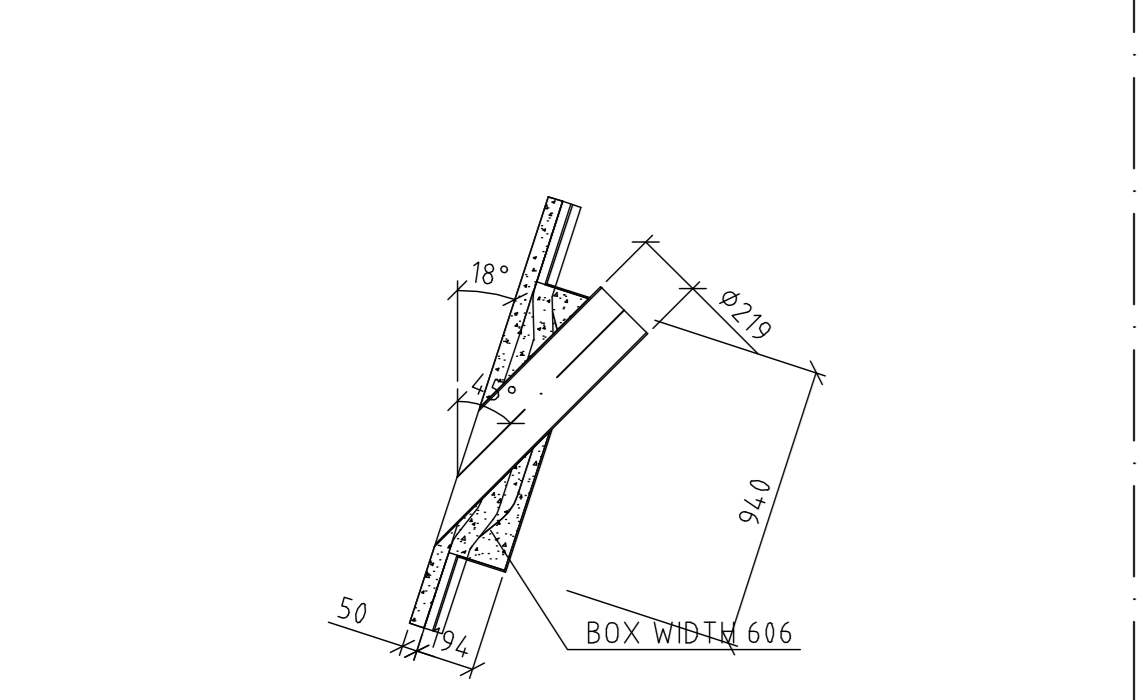
BELLOW BETWEEN FURNACE AND SEPARATOR 3pcs.



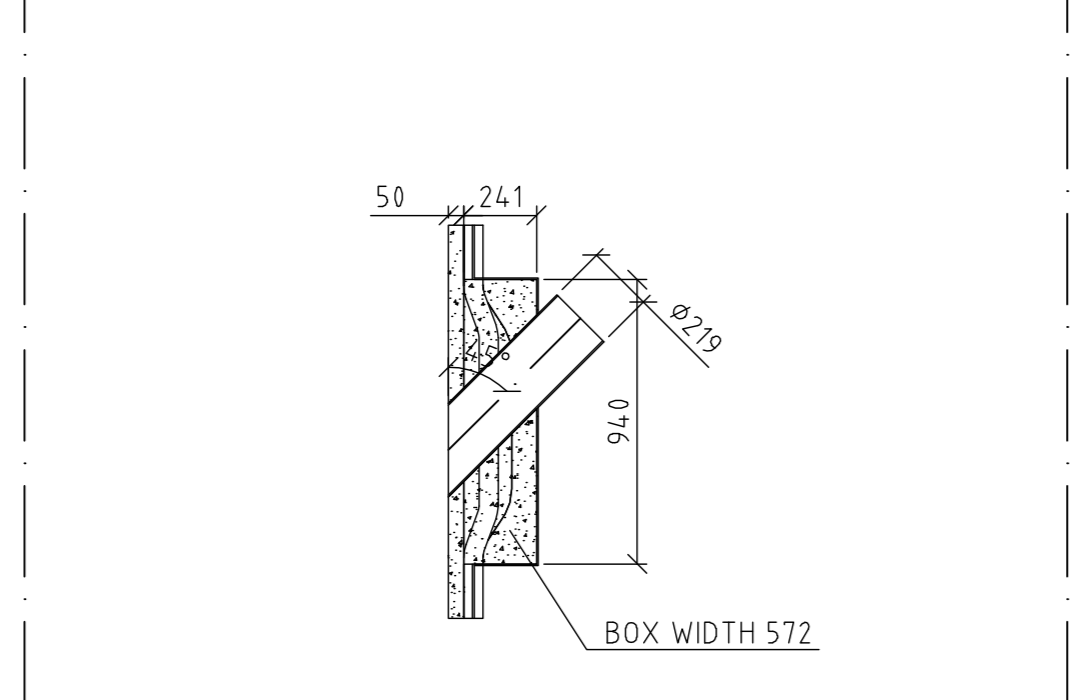
BELLOW BETWEEN FURNACE AND SEPARATOR 3pcs.



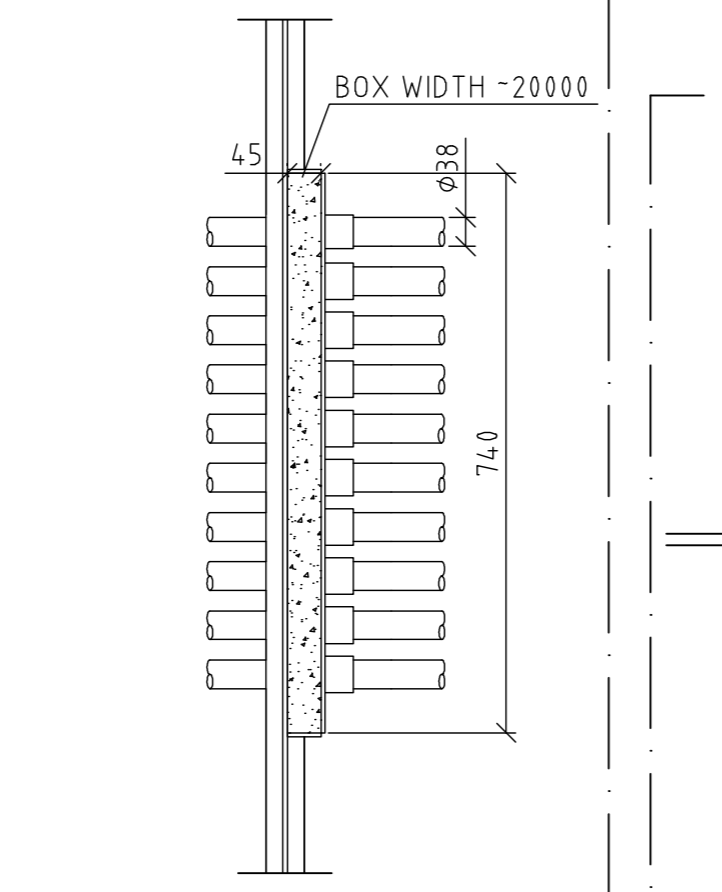
ACCESS DOOR D700 FURNACE UPPER PART 4pcs.



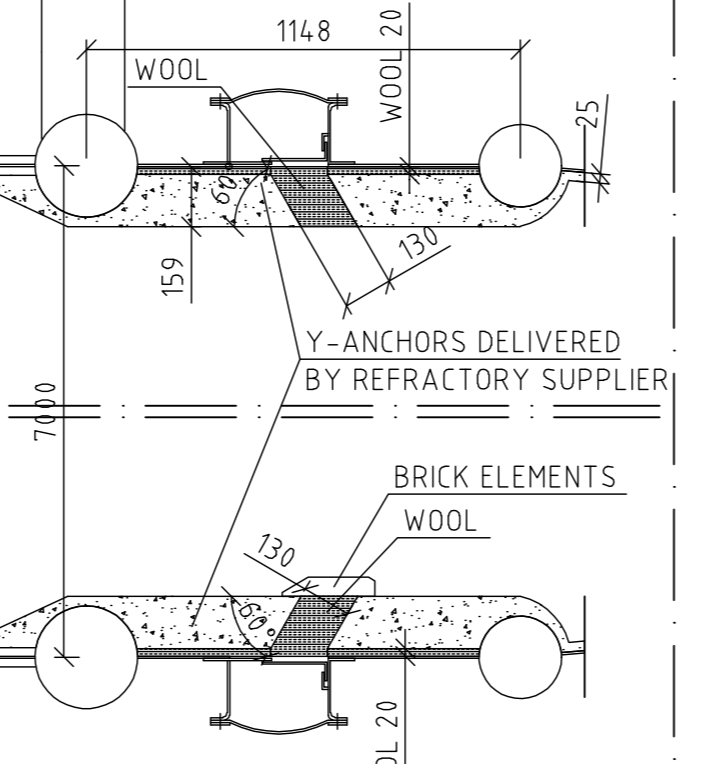
SAND FEED OPENING FW AND RW 2pcs.



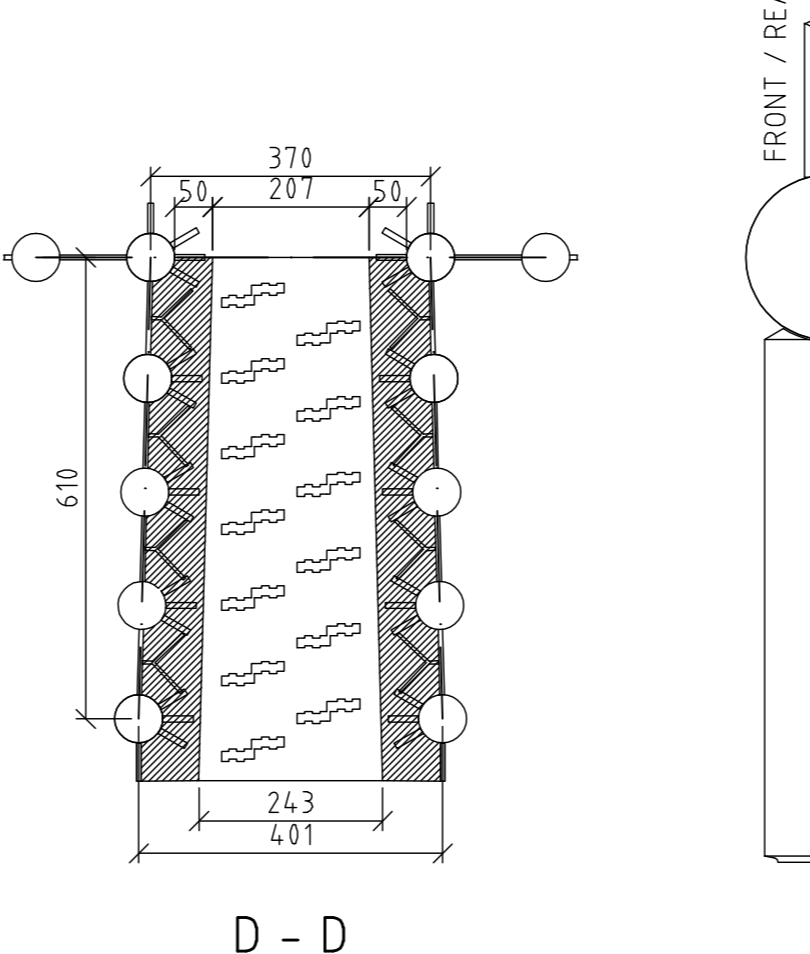
SAND FEED OPENING SIDEWALLS 2pcs.



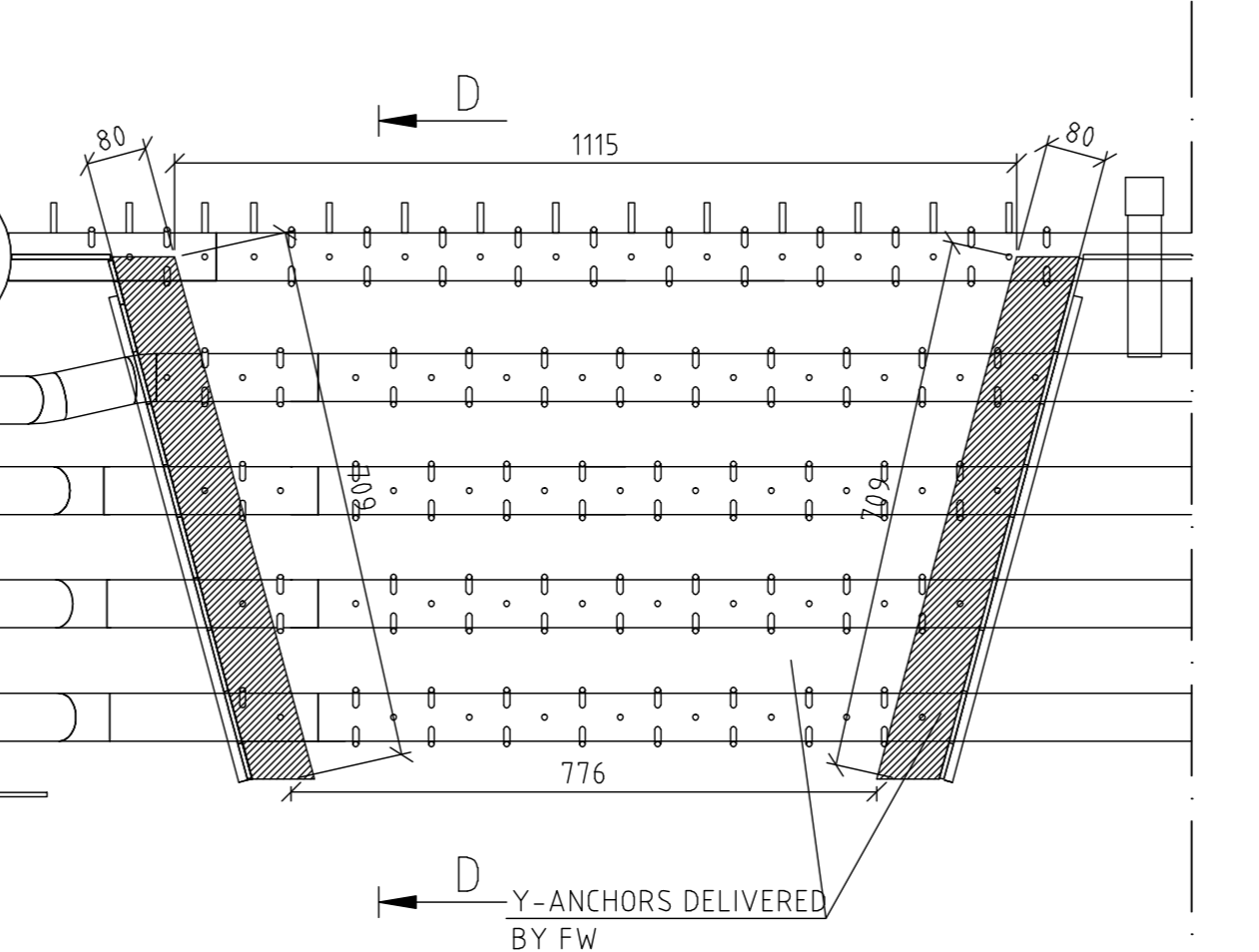
REHEATER I REFRACTORY BOX 2pcs.



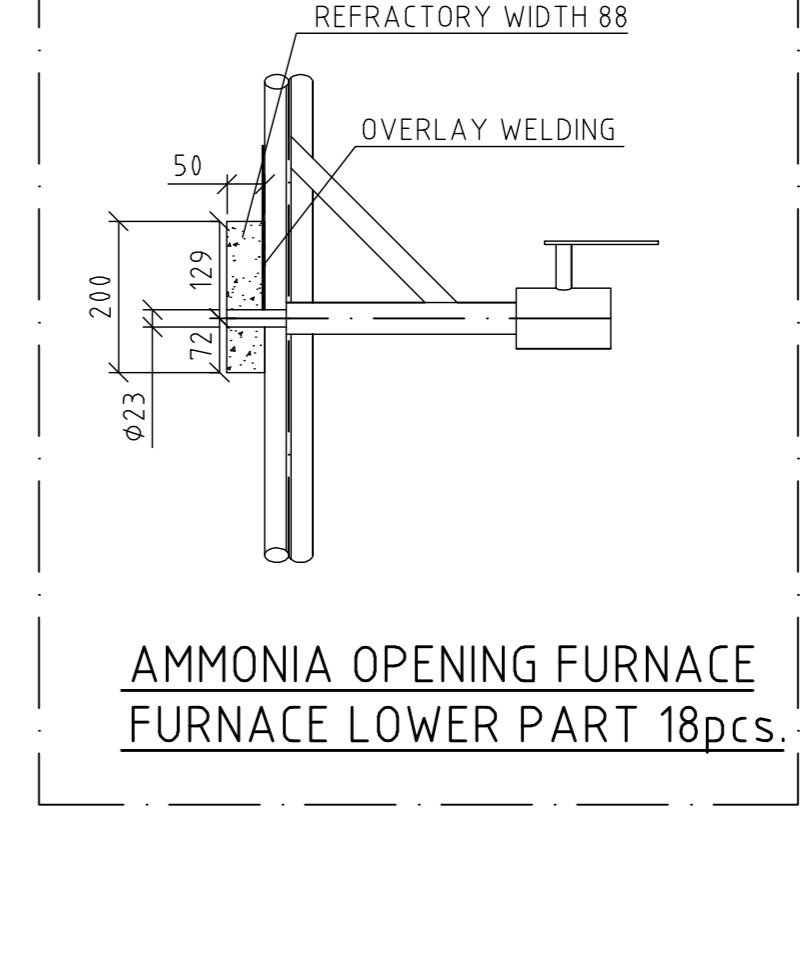
BELLOW BETWEEN COD AND CONVECTION CAGE 3pcs.



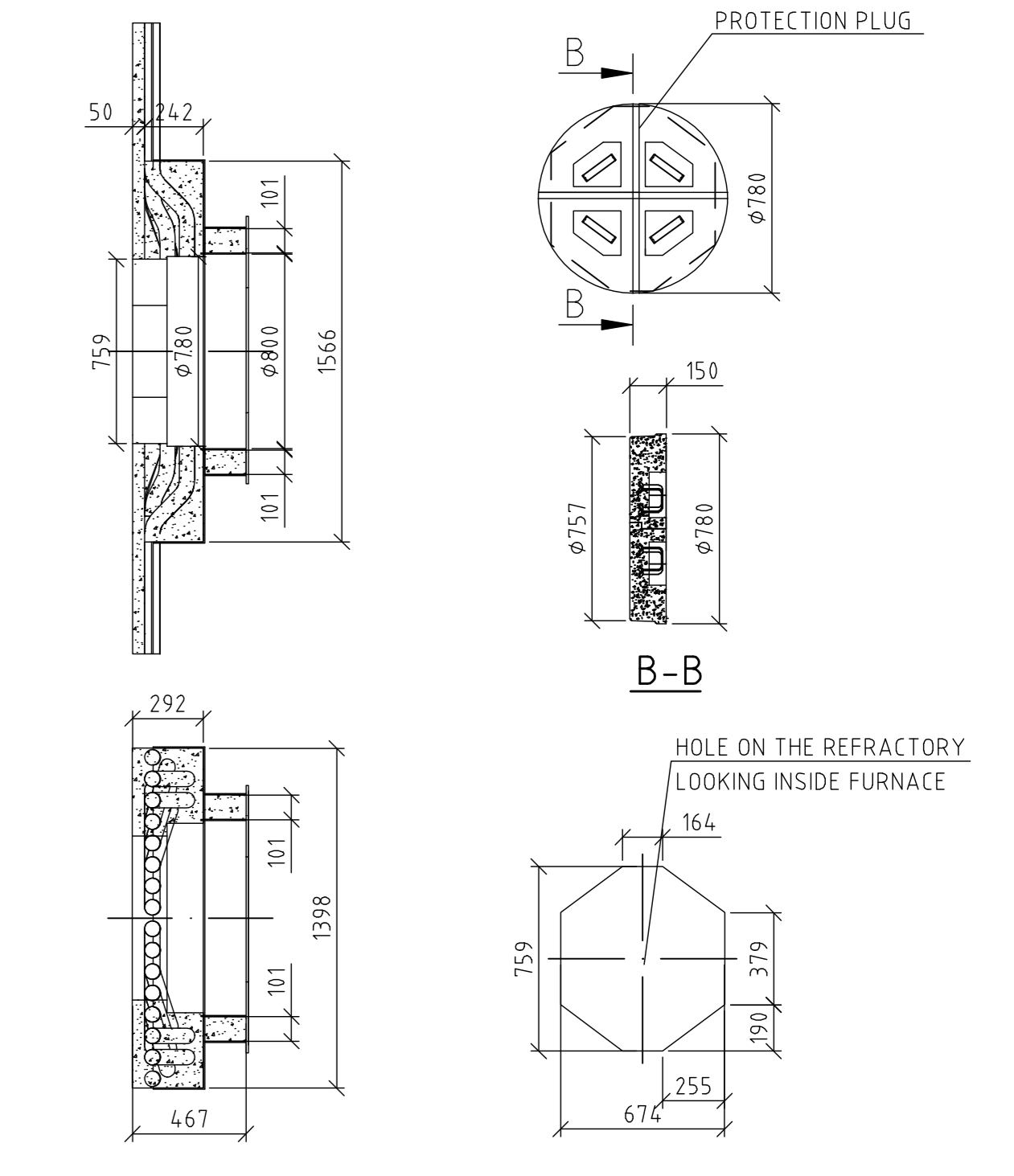
GRID ASH DRAIN REFRACTORY, 20 pcs.



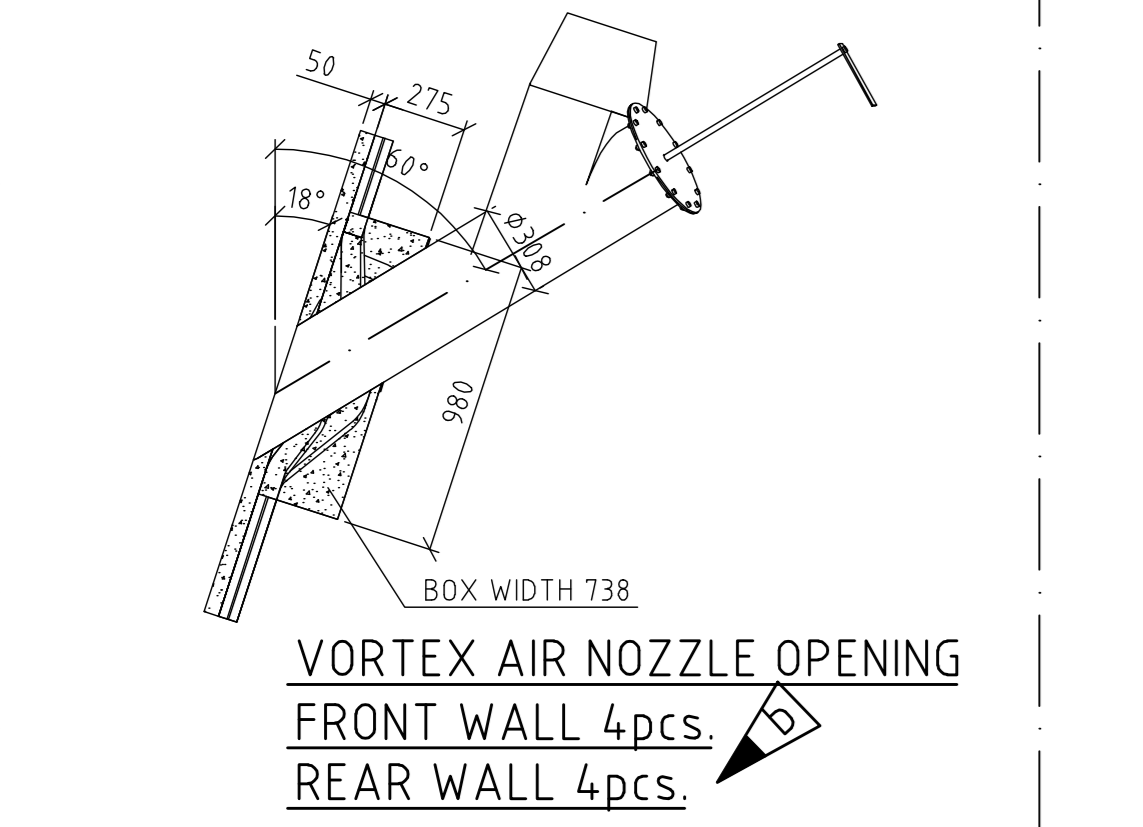
GRID ASH DRAIN REFRACTORY, 20 pcs.



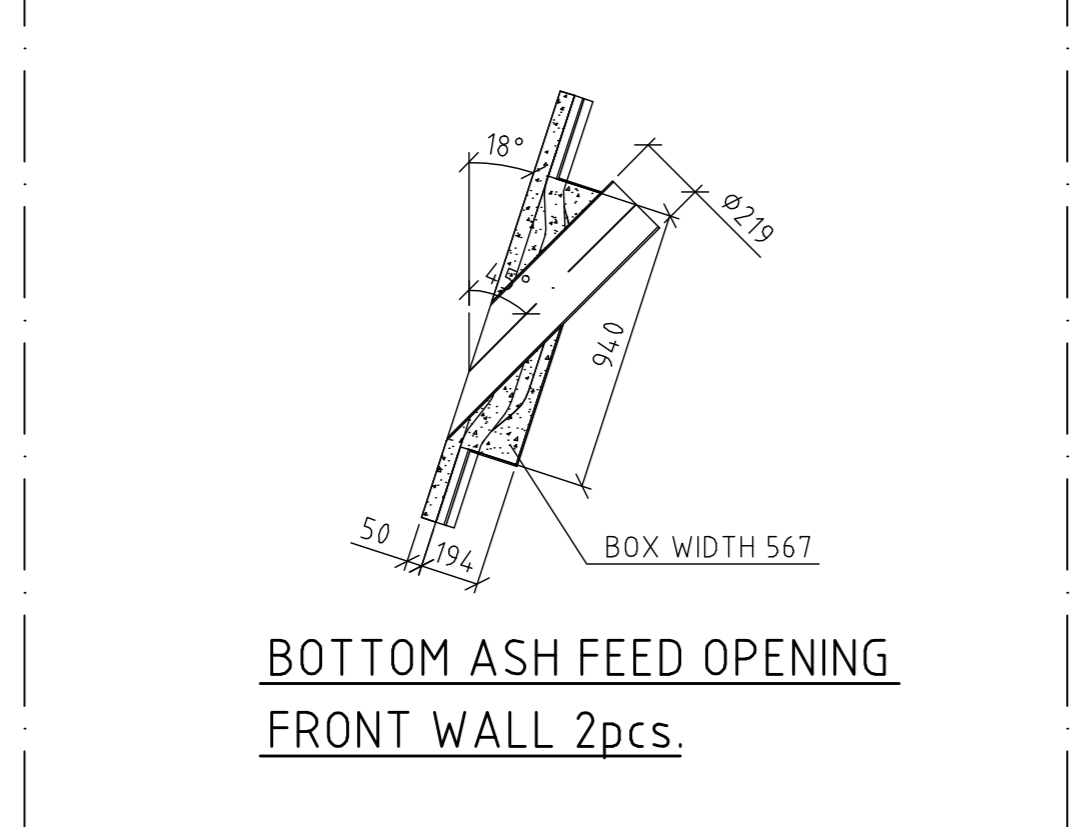
AMMONIA OPENING FURNACE FURNACE LOWER PART 18pcs.



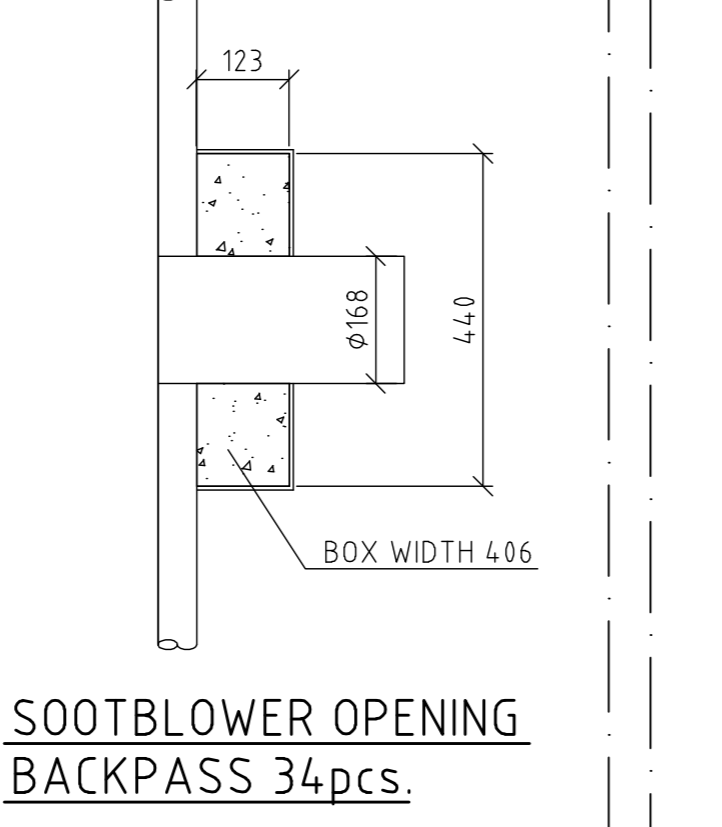
ACCESS DOOR D800 FURNACE LOWER PART 2pcs.



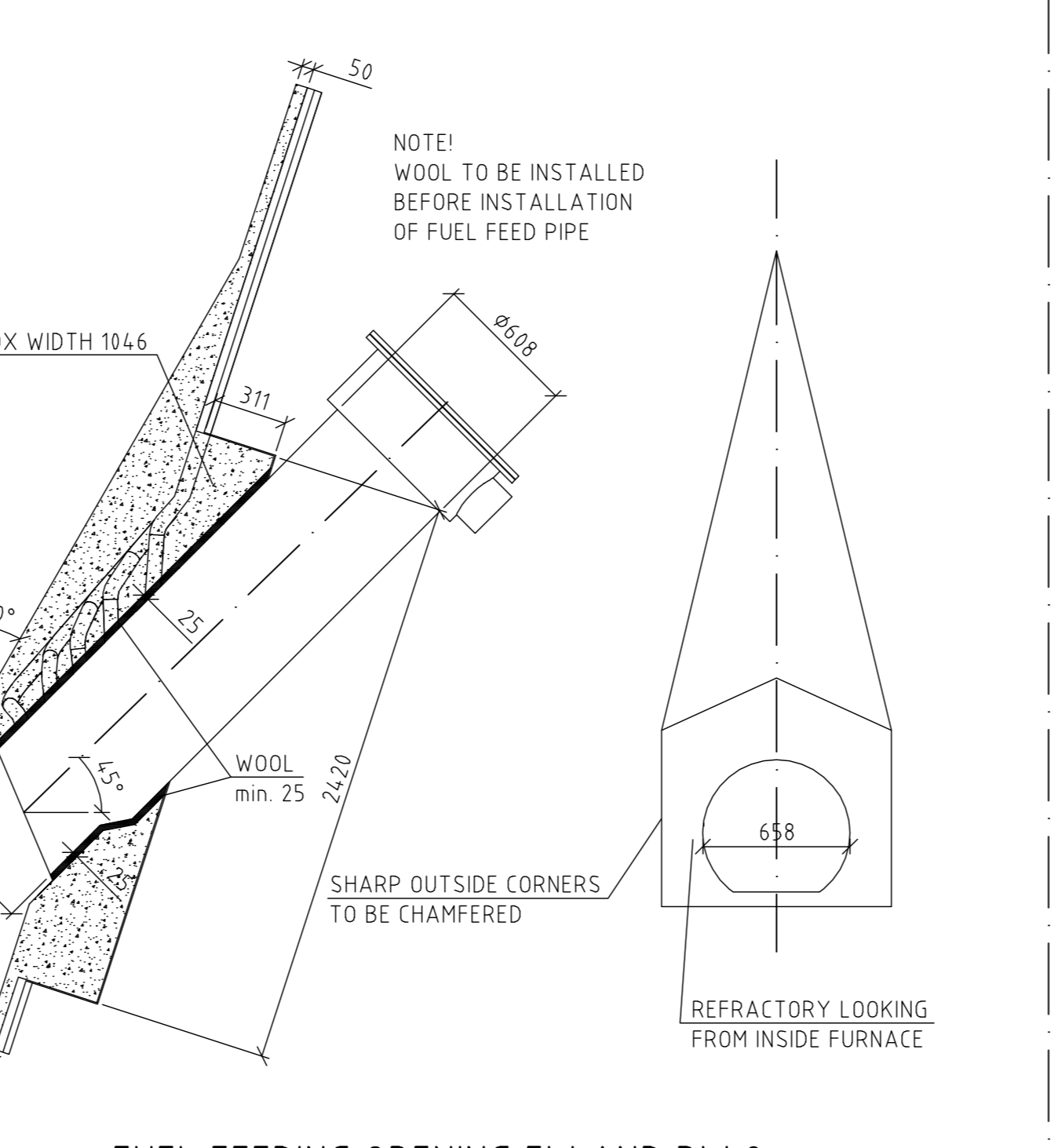
VORTEX AIR NOZZLE OPENING FRONT WALL 4pcs. REAR WALL 4pcs.



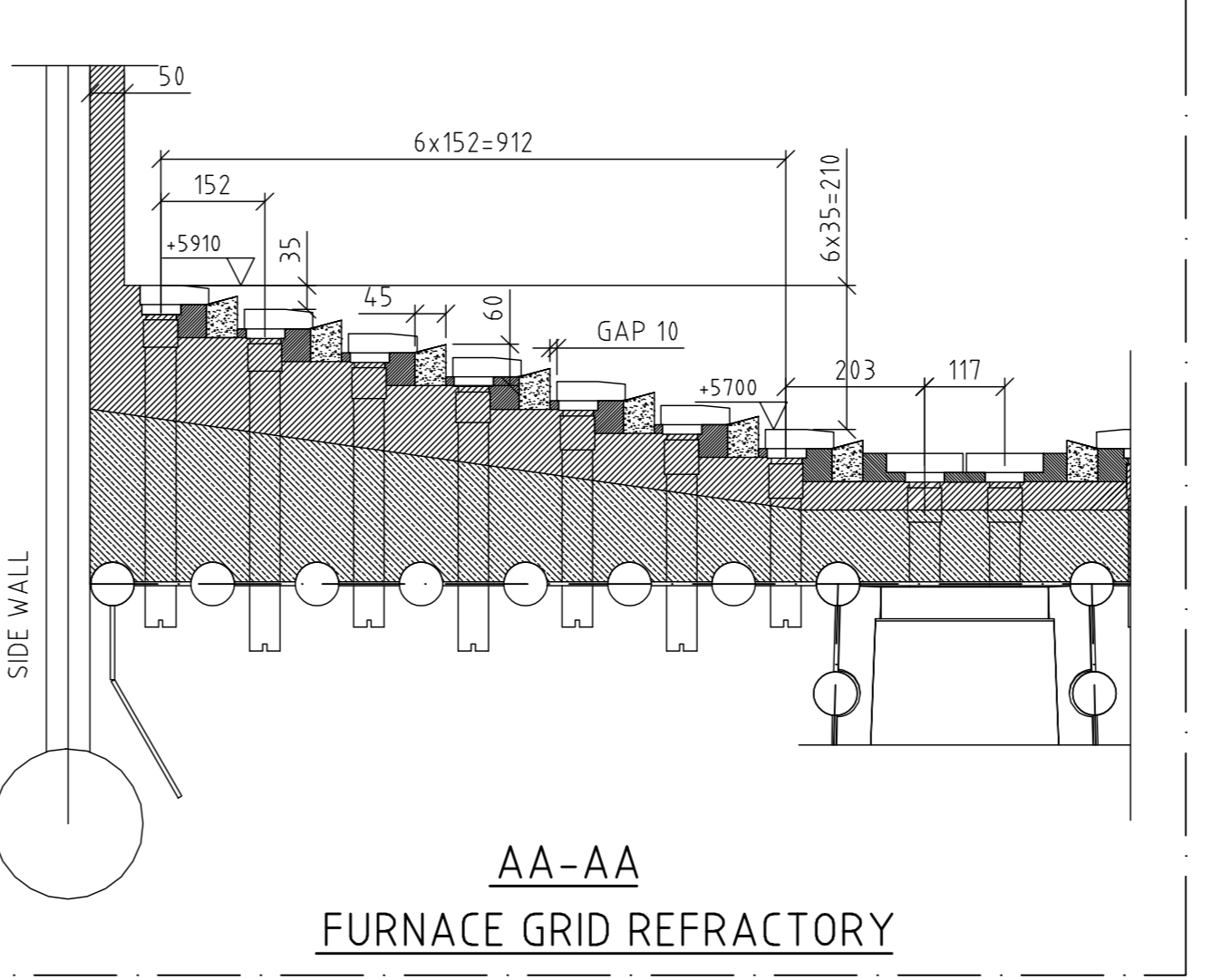
BOTTOM ASH FEED OPENING FRONT WALL 2pcs.



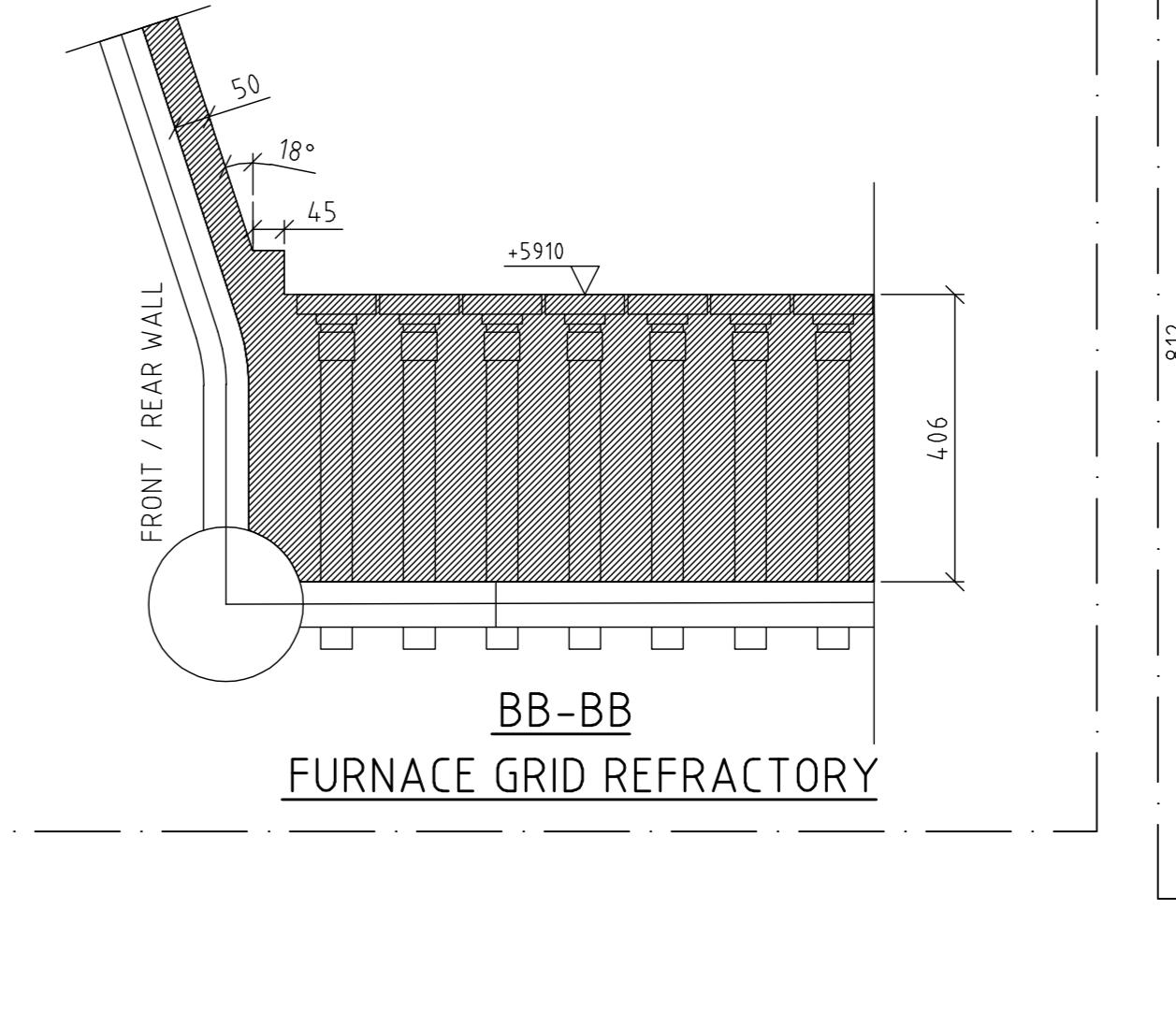
SOOTBLOWER OPENING BACKPASS 34pcs.



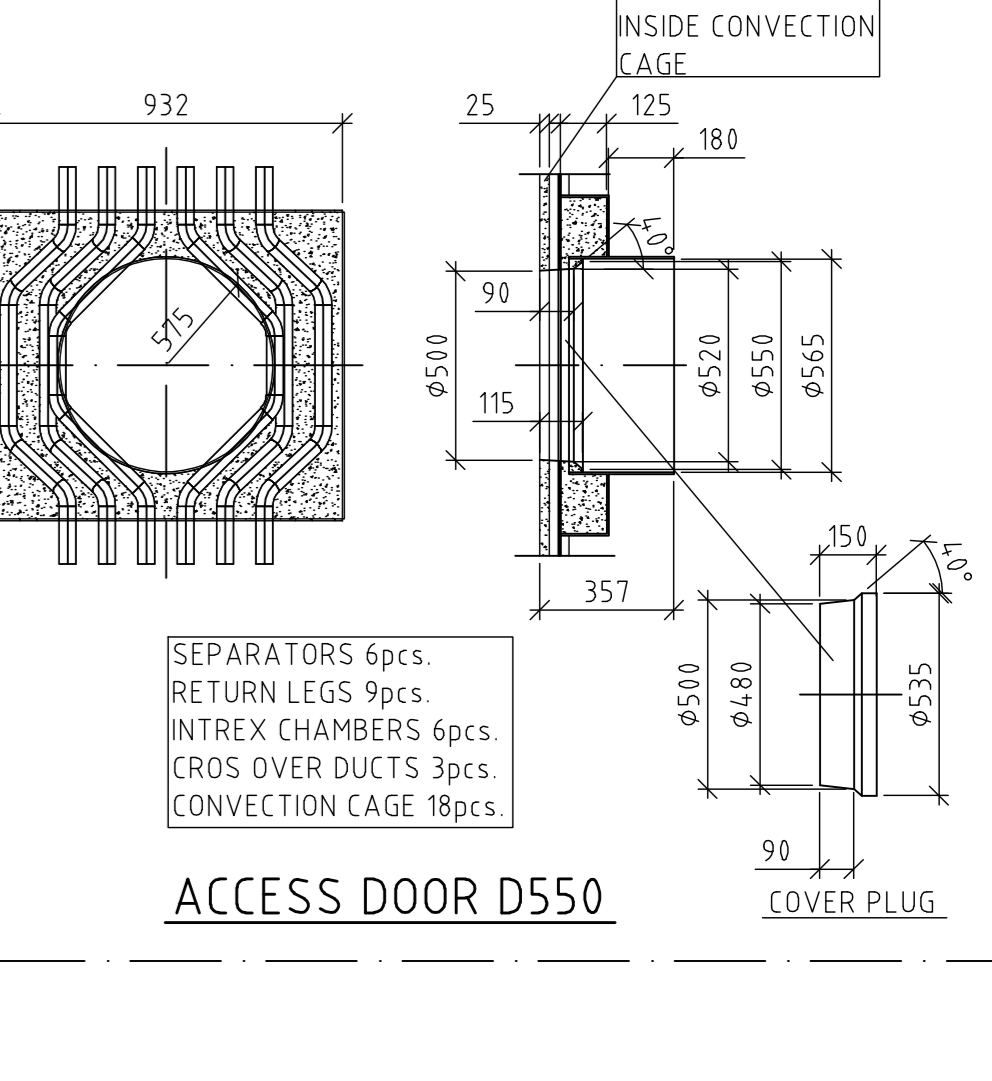
FUEL FEEDING OPENING FW AND RW 8pcs.



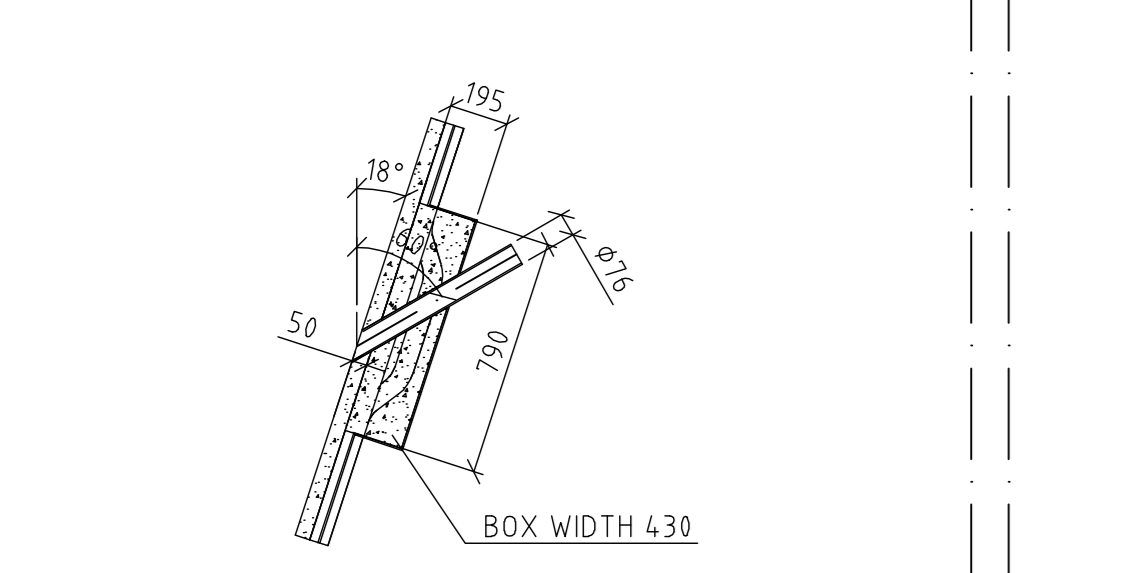
AA-AA FURNACE GRID REFRACTORY



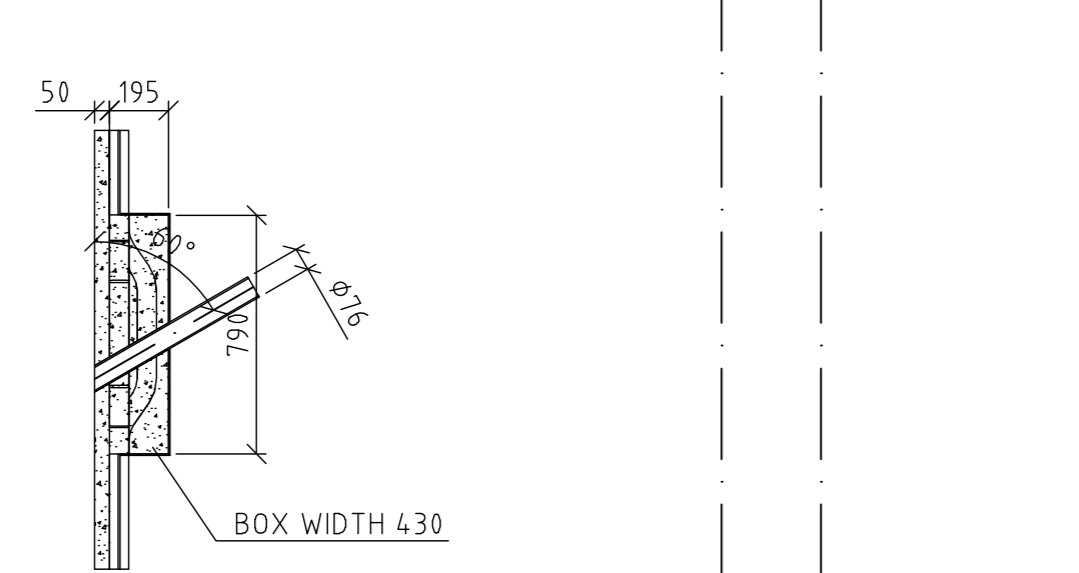
BB-BB FURNACE GRID REFRACTORY



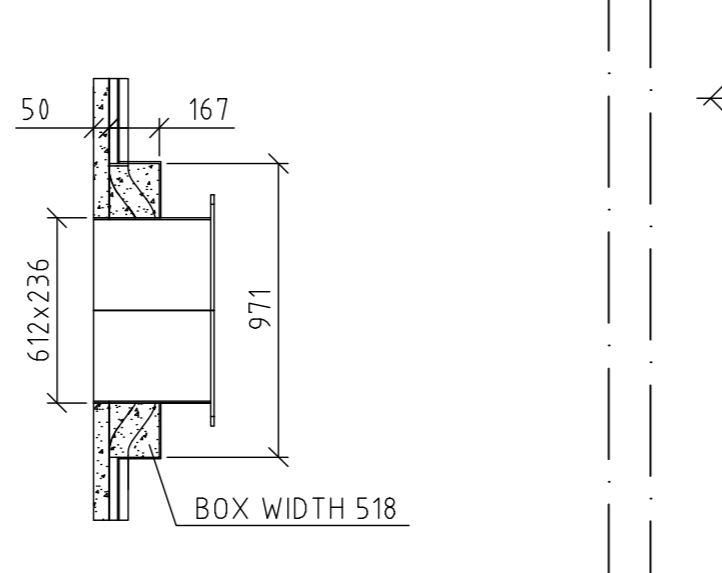
ACCESS DOOR D550



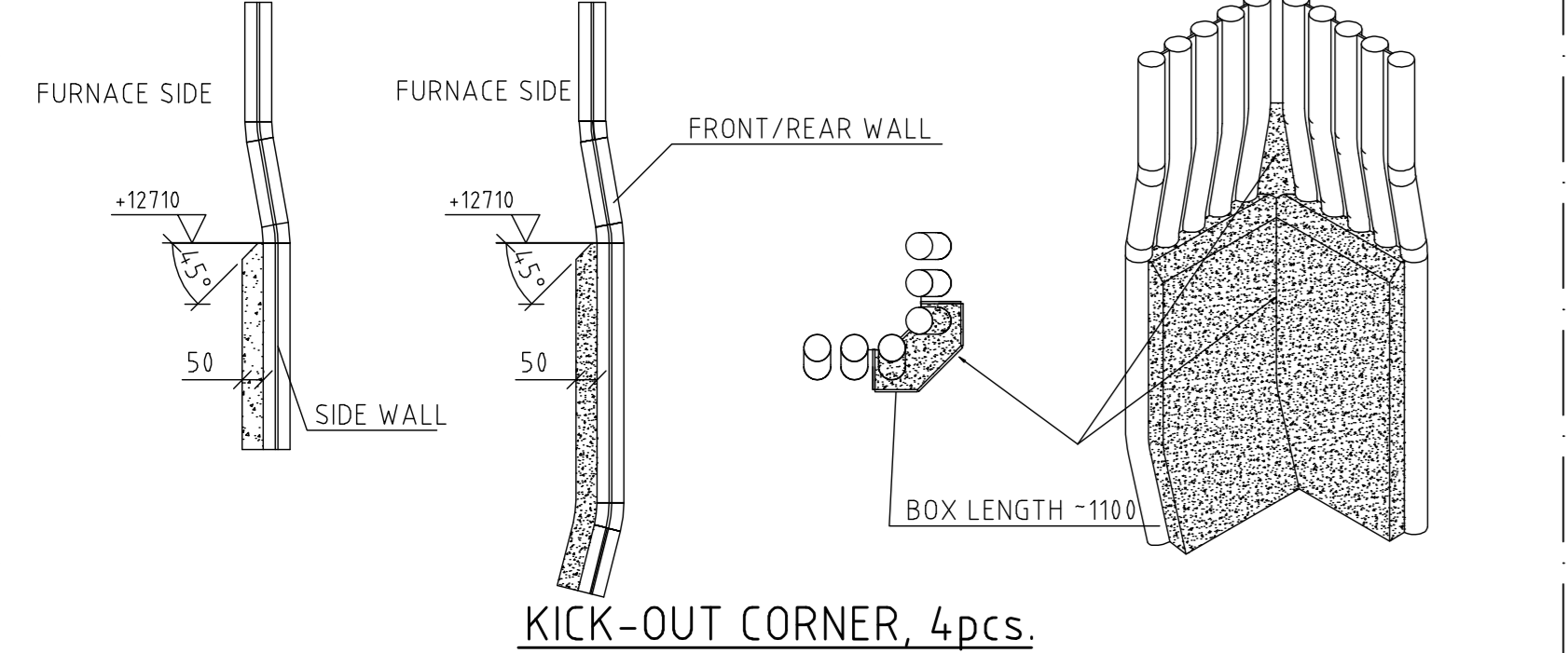
SULFUR FEED OPENING FRONT WALL 1pc.



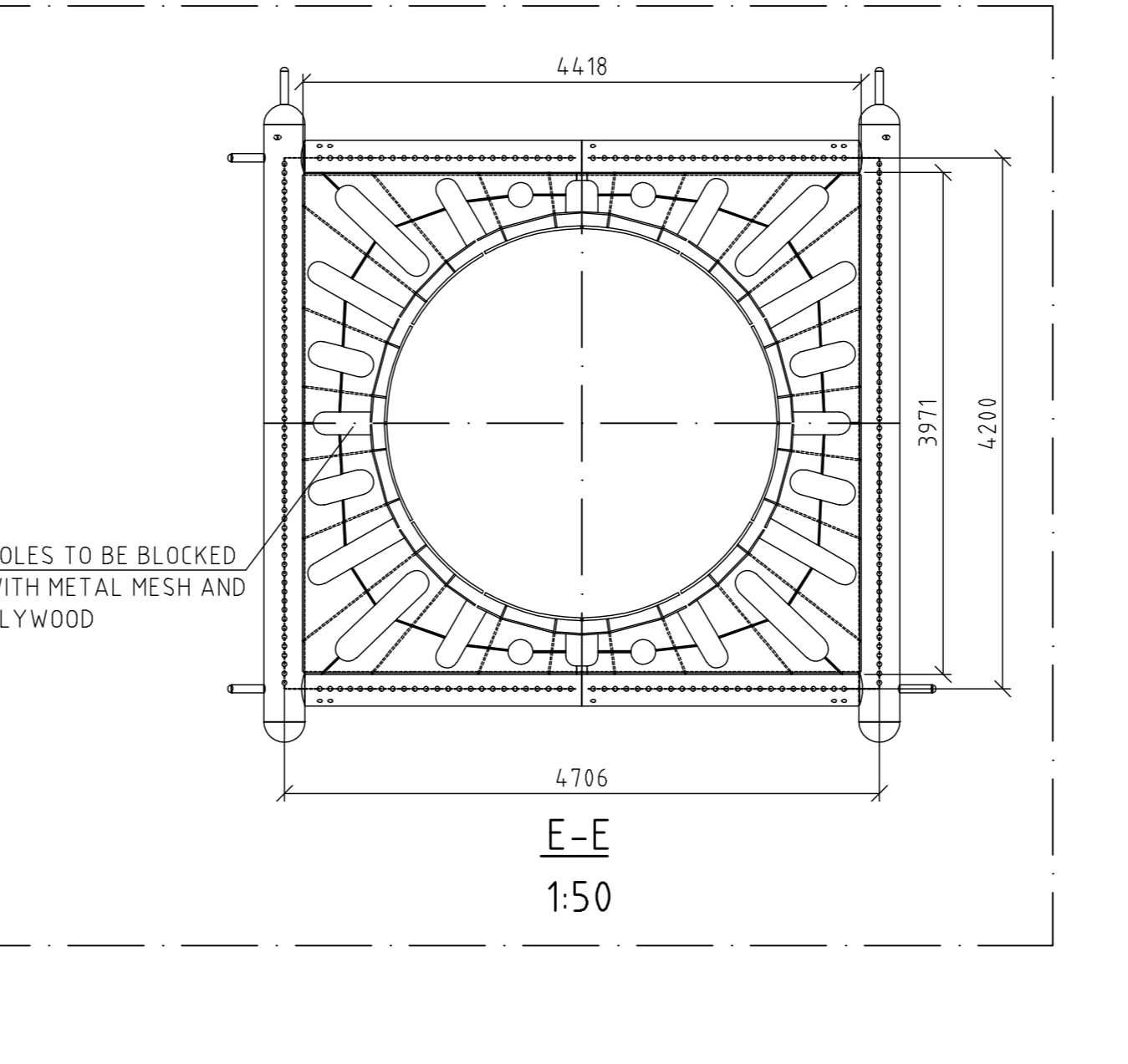
SULFUR FEED OPENING SIDEWALLS 2pcs.



MAINTENANCE OPENING SIDEWALLS 6pcs.



KICK-OUT CORNER, 4pcs.



E-E 1:50

RELEASED FOR MANUFACTURING
FINAL WERSJA FINALNA

THIS DOCUMENT AND ANY INFORMATION HEREIN CONTAINED ARE THE PROPERTY OF FOSTER WHEELER CORPORATION. THE UNAUTHORIZED COPYING, USE BY, OR DISCLOSURE TO PERSONS WHO ARE NOT ENTITLED TO RECEIVE IS STRICTLY PROHIBITED. ANY BREACH AGAINST THE ABOVE PROHIBITION IS LIABLE TO EMPLOYMENT, WITH DAMAGES PAYABLE TO THOSE ASSIGNED AND OTHER REMEDIES AVAILABLE BY LAW OR EQUITY.		Client: GDF SUEZ Energia Polska S.A.	
Projekt: Polaniec Green Unit		Date: 16.11.2011	
Klient: GDF SUEZ Energia Polska S.A.		Wzrost: 19.11.2011	
Projekt: Polaniec Green Unit		Wzrost: 19.11.2011	
Klient: GDF SUEZ Energia Polska S.A.		Wzrost: 19.11.2011	
Projekt: Polaniec Green Unit		Wzrost: 19.11.2011	

REFRACTORY INQUIRY DRAWING DETAILS

Drawn: AG	Date: 16.11.2011	Scale: 1:1	Sheet No: 09
Checked: S. Karpinski	Date: 16.11.2011	Scale: 1:1	Sheet No: 09
Approved: S. Karpinski	Date: 16.11.2011	Scale: 1:1	Sheet No: 09

953-FWHDC-0000-MTA0002_b